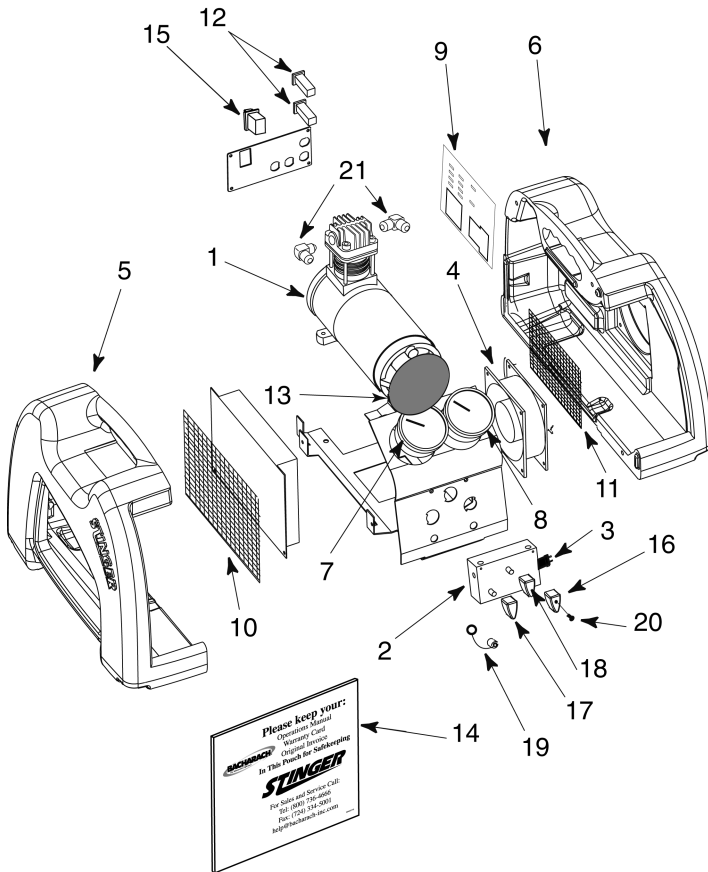


STINGER Exploded View



Compressor Parts List

See Compressor Exploded View on Page 23.

Part No.	Item	Description	Qty
2081-0410	1	Motor Shaft Head Bearing	1
2081-0370	2	Crank Housing	1
2043-0030	3	Shaft Seal	1
2051-1900	4	Screw, Machine, M5 x 10MM	1
2081-0310	5	Piston Cup Seal Retainer	1
2043-0020	6	Piston Cup Seal	1
2081-0270	7	Piston	1
2081-0400	8	Piston Journal Bearing	1
2081-0260	9	Crank	1
2077-0940	10	Gasket	1
2081-0300	11	Crank Housing End Cover	1
2051-1920	12	Screw, Cap, M5 x 18MM	4
2081-0390	*13	Shim, 0.002"	1
2081-0420	*14	Shim, 0.003"	1
2081-0430	*15	Shim, 0.005"	1
2077-0950	16	O-Ring, #026	1
2081-0290	17	Cylinder	1
2090-0039	18	Valve Plate Assembly	1
2081-0280	19	Cylinder Head	1
2051-1910	20	Screw, Cap, M5 x 50MM	4
2090-0040	21	Motor Brushes	2
2090-0041	22	Cap, Motor Brush	2
2090-0042	--	Compressor Rebuild Kit Includes Items 4, 5, 6, 13, 14, 15, 16, 18	1

*Any or all of these shims may be used.